

STEALTH PUMP



Jandy®  
Pro Series  
by ZODIAC®

**STEALTH™**  
PUMP

Power Meets  
Performance





## The heart of your pool system

Stealth is a professional-grade pump that provides superior performance and energy-saving efficiency. Stealth is designed for ease of installation and trouble-free maintenance, and is the most efficient single and two-speed pump available.

### » High Performance

Single speed, efficient 2-speed and 3 phase models available.

### » Low Maintenance

The largest trap basket on the market for reduced maintenance.

### » Great Features

Includes ergonomic handles and easy to read indicators.

### » Quiet

Quiet technology for whisper quiet operation.

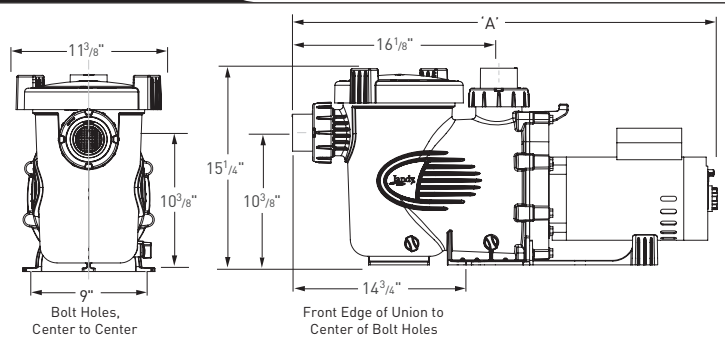
### » Efficient

E+ energy efficient motor saves up to 20% on energy costs.

### » Easy to Install

Comes equipped with 2" x 2.5" (2.5" x 3" on 3 and 5 HP models) quick-connect unions.

### DIMENSIONS

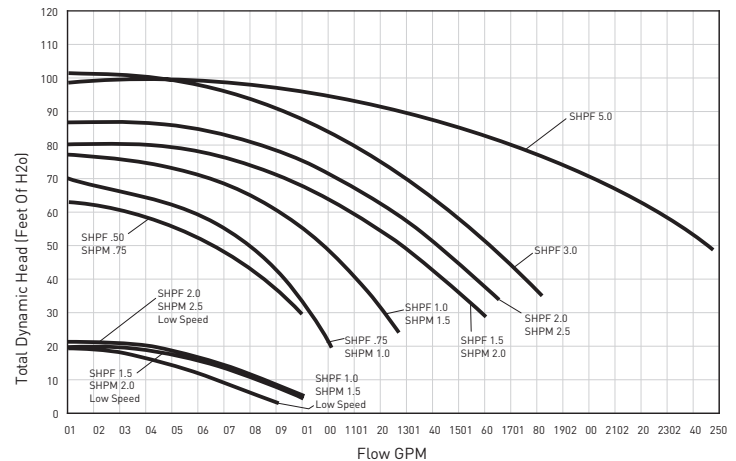


### SPECIFICATIONS

Model Number	Voltage	Amps	Pipe Size	Carton Weight	Overall Length 'A'
SHPF.50	208-230/115	4.4-4.5/8.0	2"-2.5"	30 lbs.	31"
SHPF.75	208-230/115	6.0-5.6/11.2	2"-2.5"	43 lbs.	31"
SHPF1.0	208-230/115	7.8-7.4/14.8	2"-2.5"	45 lbs.	32.25"
SHPF1.5	208-230	9.6-8.8	2"-2.5"	50 lbs.	32"
SHPF2.0	208-230	11.0-10.0	2"-2.5"	57 lbs.	33"
SHPF3.0	208-230	15.0-13.6	2.5"-3.0"	62 lbs.	33"
SHPF5.0	208-230	17.0-19.0	4"	68 lbs.	33"
SHPF1.0-2	230	7.2/3.0	2"-2.5"	50.4 lbs.	33"
SHPF1.5-2	230	10.0/3.5	2"-2.5"	57 lbs.	33"
SHPF2.0-2	230	11.0/4.0	2"-2.5"	64 lbs.	33"
SHPM.75	208-230/115	4.4-4.5/8.8	2"-2.5"	30 lbs.	33"
SHPM.75	208-230/115	6.0-5.6/11.2	2"-2.5"	43 lbs.	31"
SHPM1.5	208-230/115	7.8-7.4/14.8	2"-2.5"	45 lbs.	32.25"
SHPM2.0	208-230	9.6-8.8	2"-2.5"	50 lbs.	32"
SHPM2.5	208-230	11.0-10.0	2"-2.5"	57 lbs.	33"
SHPM1.5-2	230	7.2/3.0	2"-2.5"	52 lbs.	33"
SHPM2.0-2	230	10.0/3.5	2"-2.5"	57 lbs.	32"
SHPM2.5-2	230	11.0/4.0	2"-2.5"	64 lbs.	33"
SHPF1.0-3PH	208-230/460	5.0-4.6/2.3	2"-2.5"	55 lbs	31"
SHPF1.5-3PH	208-230/460	6.4-5.8/2.9	2"-2.5"	57 lbs	32"
SHPF2.0-3PH	208-230/460	7.1- 6.8/3.4	2"-2.5"	64 lbs	32"
SHPF3.0-3PH	208-230/460	9.0-8.6/4.3	2.5"-3"	62 lbs	32"

### PERFORMANCE

SHPF/SHPM Performance Curves



SMART PHONE SCAN

**Zodiac Pool Systems, Inc.**  
 2620 Commerce Way, Vista, CA 92081  
 1.800.822.7933 | www.ZodiacPoolSystems.com

**Zodiac Pool Systems Canada, Inc.**  
 2115 South Service Road West, Unit #3, Oakville, ON L6L 5W2  
 1.888.647.4004 | www.ZodiacPoolSystems.ca

